



WORLDWIDE RECYCLING MACHINE MAINTENANCE
 WWW.SCRAP-TECH.COM



Industrial Grabs by OPM

60 / 64 / 80 / 84





OZM

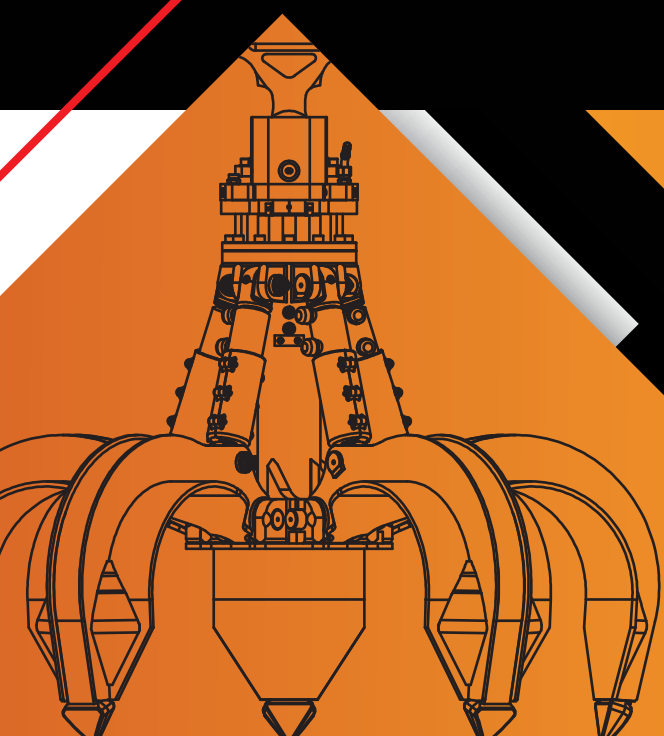
FINLAND



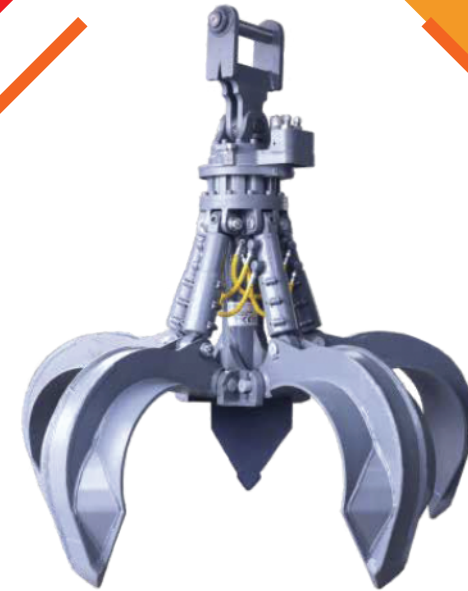
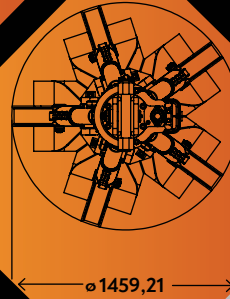
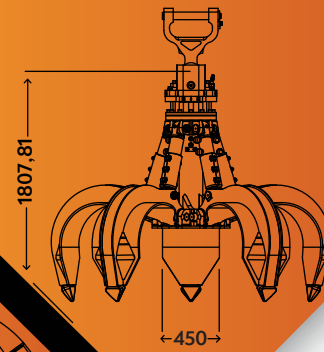
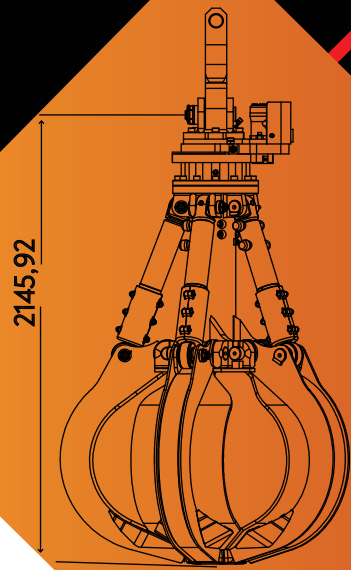
SCRAPTECH

WORLDWIDE RECYCLING MACHINE MAINTENANCE

WWW.SCRAP-TECH.COM



**Industrial
Grabs**
60 / 64 / 80 / 84



INDEX

Grab mass (without hanger bracket)

Grab capacity

Grab height (from the edge of the tine to the hanger bracket)

Grab width (by the prominent parts of the tines)

Torque moment of the rotator

Weight class of the loading crane for wich the grab is purposed

Maximal grab lift capacity

Maximal pressure in the hydraulic system (tines are closed / opened)

Nominal pressure in the hydraulic system

Maximal feeding of the hydraulics (tines are closed / opened)

Maximal feeding of the hydraulics (during the rotation)

SPECIFICATION

1430 kg

0.6 m³

tines are closed
tines are opened

2145,92 mm
1807,81 mm

tines are closed
tines are opened

1459,21 mm
2285,22 mm

1,73 kNm

18 - 45 tons

10 tons

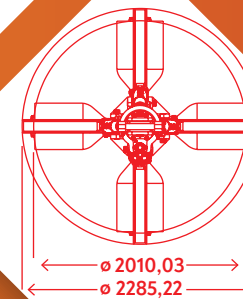
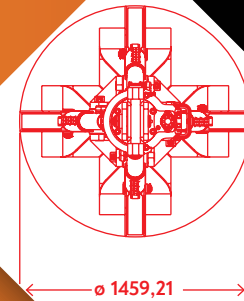
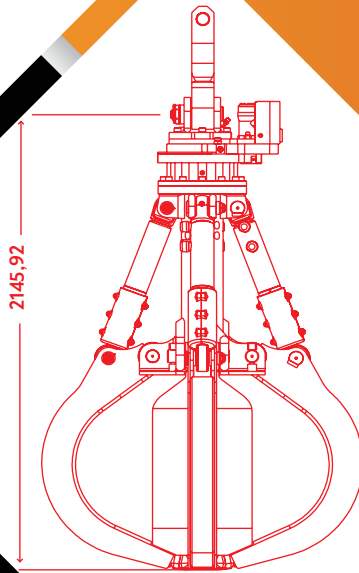
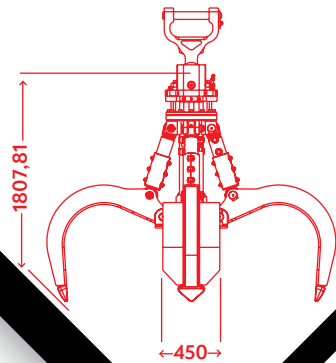
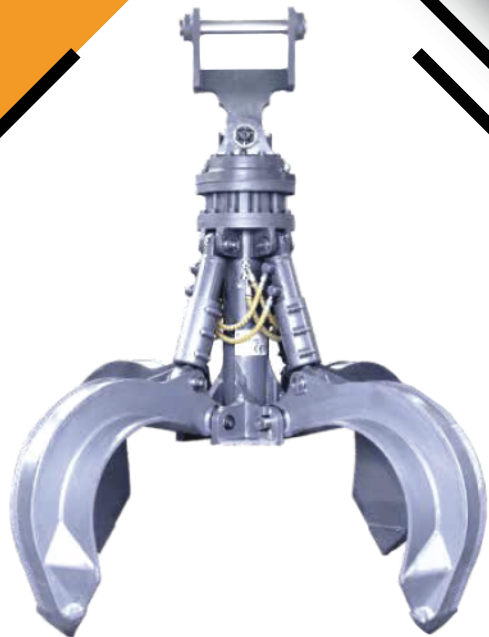
36 MPa

22 MPa

250 l/min

30 l/min

opm - 60 - udo

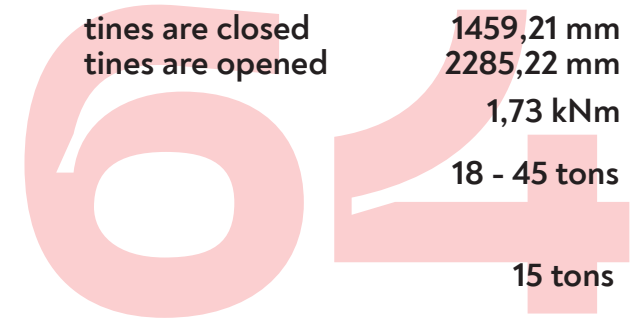


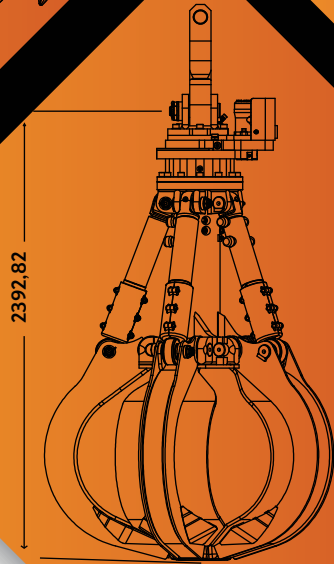
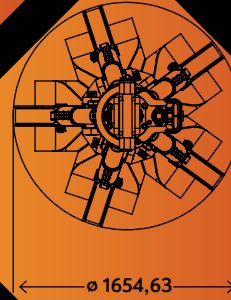
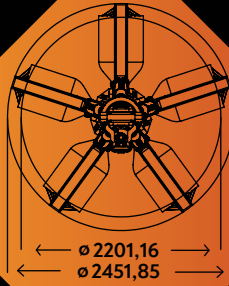
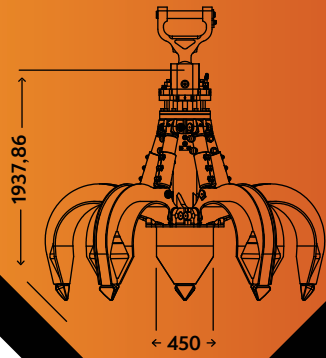
opm - 64

INDEX

SPECIFICATION

Grab mass (without hanger bracket)		1230 kg
Grab capacity		0.6 m ³
Grab height (from the edge of the tine to the hanger bracket)	tines are closed	2145,92 mm
	tines are opened	1807,81 mm
Grab width (by the prominent parts of the tines)	tines are closed	1459,21 mm
	tines are opened	2285,22 mm
Torque moment of the rotator		1,73 kNm
Weight class of the loading crane for wich the grab is purposed		18 - 45 tons
Maximal grab lift capacity		15 tons





INDEX

Grab mass (without hanger bracket)

Grab capacity

Grab height (from the edge of the tine to the hanger bracket)

Grab width (by the prominent parts of the tines)

Torque moment of the rotator

Weight class of the loading crane for wich the grab is purposed

Maximal grab lift capacity

SPECIFICATION

1550 kg

0.8 m³

tines are closed

2392,82 mm

tines are opened

1937,86 mm

tines are closed

1654,63 mm

tines are opened

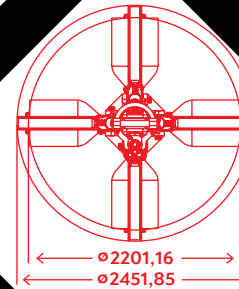
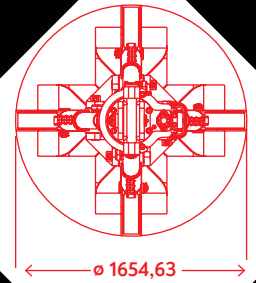
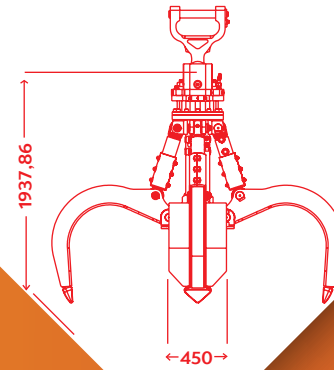
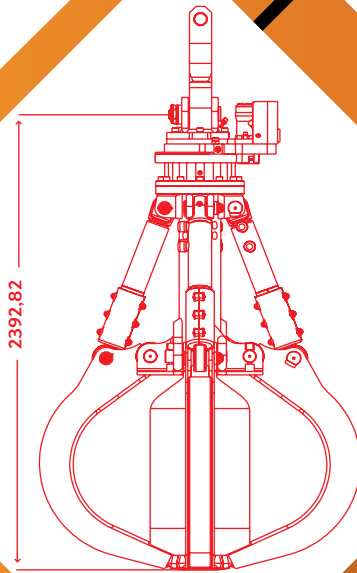
2451,85 mm

1,73 kNm

35 - 70 tons

15 tons

opm - 80



opm - 84

INDEX

SPECIFICATION

Grab mass (without hanger bracket)		1350 kg
Grab capacity		0.8 m ³
Grab height (from the edge of the tine to the hanger bracket)	tines are closed	2392,82 mm
	tines are opened	1937,86 mm
Grab width (by the prominent parts of the tines)	tines are closed	1654,63 mm
	tines are opened	2451,85 mm
Torque moment of the rotator		1,73 kNm
Weight class of the loading crane for wich the grab is purposed		35 - 70 tons
Maximal grab lift capacity		15 tons

84

All OPM grabs have a number of constructive advantages

Bearing flange

The bearing flange is prolonged and turns in the grab body on the slider bearing

Tine axe bolts

The bolts for the tine axes are screwed not into the grab body, but into the threaded stop which is welded to the grab body and may be cut off and replaced by a new one if a bolt is broken

Clamp bed

The clamp bed of the collector has not 2 openings for the stops, but 10

Bolts

The bolts of OMR - 200 rotator are screwed not into the middle flange, but into renewable pressed screw nuts M 12

Renable liner

In the middle flange, in the place where the bearers of the pinions of Z13 rotator are set, a renewable liner is considered





WORLDWIDE RECYCLING MACHINE MAINTENANCE

WWW.SCRAP-TECH.COM

Ian Wooller

Managing Director

GSM : +359 89 9952165

mail: ian@scrap-tech.com



ScrapTech International Ltd

Ivan Markvichka Str., app. 7

1220 Sofia, Bulgaria

OPM
FINLAND